

OMLED One d2

Minimalistic design

The light surface made of printed and hardened glass boldly protrudes from the desk surface making a statement on any table.

High quality material

Satin-finished clear glass as "light medium" lends the luminaire an almost floating appearance in a space.

Excellent light quality

By way of the pure, clear and very natural light of an OLED we achieve an excellent light quality and a very good colour rendering.

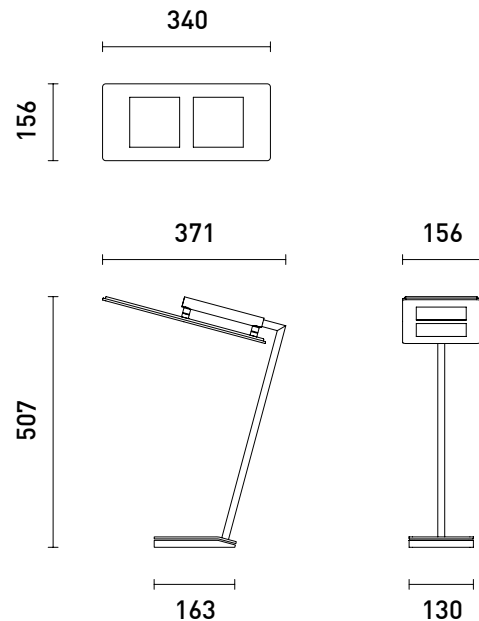
Forward-looking technology

The luminaire's glass case is circuit board and control element in one.



Technical data

| | | |
|---------------------------------|---------------------------|-----------------|
| Colour variants: | white | Art.No.: 199101 |
| | black | Art.No.: 199102 |
| Dimensions(HxWxD): | 507mm x 156mm x 371mm | |
| Illuminant material: | Glass, Aluminium | |
| Stand material: | Steel, anodised Aluminium | |
| Life time: | 30.000 h | |
| Degree of protection: | IP 20 | |
| Dimmable: | Touchdimmer | |
| Voltage: | 24V DC | |
| Supply voltage: | 220-240 V / 50-60 Hz | |
| Power consumption: | max. 12W | |
| Energy efficiency class: | A to A++ | |



Photometric data

| | |
|--------------------------------|---------------------|
| Illuminant: | 2x OLED |
| Colour temperature: | 2800 Kelvin |
| Colour rendering index: | > 80 Ra |
| Luminous flux: | 280 lm |
| Beam angle: | 150° |
| Lightquality: | UVA & IR free light |

